

## TABLE OF CONTENTS

|  |          |
|--|----------|
| <b>Overview</b> .....                              | <b>1</b> |
| Key Features .....                                 | 1        |
| <b>M205/M206</b>                                   |          |
| <b>Configuration</b> .....                         | <b>2</b> |
| Understanding and Changing Printer Names. ....     | 2        |
| Number of Printers .....                           | 3        |
| Mapping printer names to destinations/queues ..... | 3        |
| Enabling/Disabling the AppleTalk Module. ....      | 4        |
| Changing AppleTalk Zones. ....                     | 4        |
| Using Different Printer Drivers .....              | 5        |
| Troubleshooting .....                              | 6        |
| <i>No Printer Destinations in Chooser.</i> .....   | 6        |

## Appendix D - More on AppleTalk

### Overview

This file provides additional information for getting your print jobs printing to an M205/M206 in an AppleTalk over EtherTalk environment. Refer to this section if you cannot find what you need in the M205/M206 product manual.

**Note:** The M205/M206 does not support LocalTalk.

### Key Features

- Understanding the M205/M206 AppleTalk naming schemes - *Understanding and Changing Printer Names* on page D-2.
- Reducing the number of printers in the Chooser - *Mapping printer names to destinations/queues* on page D-3.
- Altering AppleTalk zones - *Changing AppleTalk Zones* on page D-4.
- Switching printer driver support - *Using Different Printer Drivers* on page D-5.

## **M205/M206 Configuration**

As mentioned in the M205/M206 product manual, there are *no* mandatory settings needed before the print server can be detected on an AppleTalk network. However, there are additional settings you may want to configure. This section expands on some of the more common ones for you.

If you want to modify some of the M205/M206's default settings, you would use the built-in command set.

**Note:** there is no host software provided for the Macintosh. To do any configuration, you must rely on:

- **npsh** commands available through a *telnet* session. These commands could be issued from a Macintosh workstation if you are running a program like NCSA Telnet and MacTCP is installed on your system.
- a Novell workstation running the host software npsh.exe.
- a Windows workstation running IPAssign or opening a *telnet* or *remote shell* session (see *Appendix A - More on Windows* PDF file or the Windows Configuration section of the manual).

## **Understanding and Changing Printer Names**

The default naming structure for all M205/M206 printers that display in the Chooser on an Apple station is:

*M205/M206name\_papname*

Example: M\_071C1A\_prn

The first half of the name specifies which print server following the default naming pattern of "M\_XXXXXX" where "XXXXXX" equals the last six digits of the M205/M206's Ethernet address found on the bottom of the device. The second half of this name points to the I/O port on the device (i.e. prn).

**Note:** This printer name will always consist of two halves separated by a "\_".

To change these names, you can change one or both halves of the name to something more meaningful. To do this, you will need to:

- 1 Start an **npsh** session with the unit.
- 2 Enter the name that you would like to appear for the Print Server. This will make up the first part of the name in the Chooser.

Syntax to change first half of the name:

```
store pserver name newname
```

- 3 Enter the name that you would like to appear for the papname. This will make up the second part of the name in the Chooser.

Syntax to change second half of the name:

```
store pserver applepap papname name newpapname
```

Note: this new name will also affect Unix, Novell and NetBIOS set-ups.

Example to change the default name “M\_071C1A\_prn” to “sales\_laser”:

```
store pserver name sales
```

```
store pserver applepap prn name laser
```

- 4 Reset the unit so the changes take effect.  
`reset`

### Number of Printers

When you select the LaserWriter driver icon within the Chooser window on your Apple station, you will see the printer attached to the M205/M206 displayed on the right hand side of the window.

**Note:** you can use any one of the four possible destinations although only one will be visible in the chooser. It doesn't matter which destination you choose.

### Mapping printer names to destinations/queues

Each PAP name (i.e. AppleTalk printer name) defined on the print server gets associated with a particular destination/queue. For example, the PAP name, **prn**, is associated with destination, **d1prn**, by default.

**Note:** The M205/M206 command “`list pserver`” shows you these PAP name/destination mappings.

Each destination has the ability to disable and enable certain services. One of these services is “appletalk” support. Following through with the **prn** and **d1prn** example, if you were to turn off the “appletalk” service for the destination, **d1prn**, any PAP name mapped to this destination would not be able to provide AppleTalk printing. In this example, this means the Chooser on the Apple station would not list any printers having the PAP name, **prn**, since we know these are mapped together by default.

**Note:** The M205/M206 command “`list dest`” shows you these destination services. To alter destination services manually within the M205/M206 command shell, use the “`set dest destination service...`” command.

#### Enabling/Disabling the AppleTalk Module

If you have several Microplex Print Servers on your network and only some of them are servicing AppleTalk networks, it is a good idea to turn off the entire AppleTalk module from these print servers. This will not only save on Print Server resources but will ensure that only appropriate print servers show up in the Chooser.

To disable the AppleTalk module, start an **npsh** session with the unit and follow the steps below:

- 1 Remove AppleTalk from the available protocols.  
**set sysinfo module -appletalk**
- 2 Save the changes to EEPROM.  
**save**

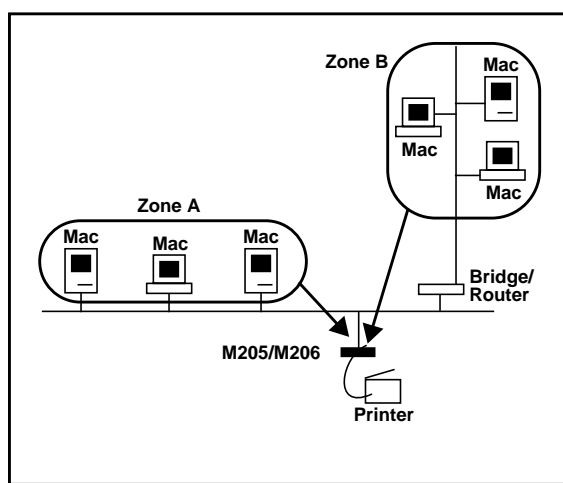
To enable the AppleTalk module, start an **npsh** session with the unit and follow the steps below:

- 1 Add AppleTalk to the list of available protocols.  
**set sysinfo module appletalk**
- 2 Save the changes to EEPROM.  
**save**

#### Changing AppleTalk Zones

A zone is a logical group of networks in an AppleTalk environment. Your network may consist of one zone or possibly several zones depending on the size and design of it. By default, the M205/M206 comes up in the default AppleTalk zone as defined by your network. If you need it to register in another zone, you will need to store this new zone name within the print server.

Figure 1: AppleTalk Zones



To do this using the M205/M206's built-in `npsh` commands you will need to:

- 1 Enter the following command:  
`store pserver apple zone newzonename`

Example:

```
store pserver apple zone sales
```

- 2 Reset the unit to save changes to EEPROM.  
`reset`

To clear the AppleTalk zone, type the command without entering a *zonename* and press <Enter>.

### Using Different Printer Drivers

By default, the M205/M206 supports the LaserWriter driver on its I/O port. If you need to use a different driver, you will need to store this within the print server.

- 1 Start an **npsh** session with the unit.
- 2 To change the printer driver, type in the name of the new printer driver as it shows under the Chooser on the Apple station. This name must match in case as well as spelling. The command to change the printer driver is:

```
store pserver applepap papname driver newdriver-name
```

Example:

```
store pserver applepap prn driver Deskjet
```

- 3 Physically re-power the print server to make the new setting take effect.

**Note:** often the name of the printer driver is the same as the name in the chooser but it is not necessarily the case. If the name isn't the same, you may have to do a packet trace to determine the actual printer driver name.

Next time you load the Chooser to set up this new printer, you will need to click on the new driver's icon to view the available M205/M206 printers on the right hand side of the Chooser window.

#### Troubleshooting

##### **No Printer Destinations in Chooser**

If the Laserwriter icon in the Chooser Menu doesn't display any printer destinations, you should consider:

- Are you using EtherTalk rather than LocalTalk or TokenTalk?
- Is "EtherTalk" chosen in the **Control Panel's Network** icon?
- Have you checked the M205/M206 and the Apple system's Ethernet connections?
- Have you configured the M205/M206 to show up in the correct AppleTalk Zone. Please see *Changing AppleTalk Zones* on page D-4 for information on doing this.